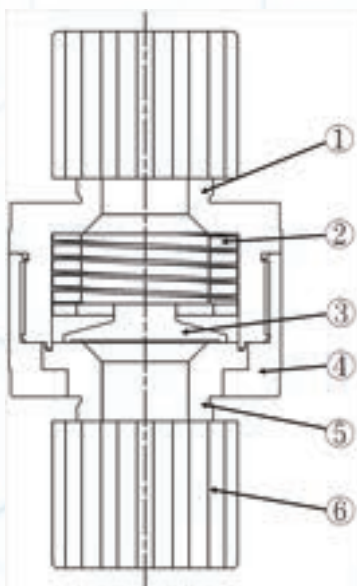


Check Valve WLCV Series

Specification

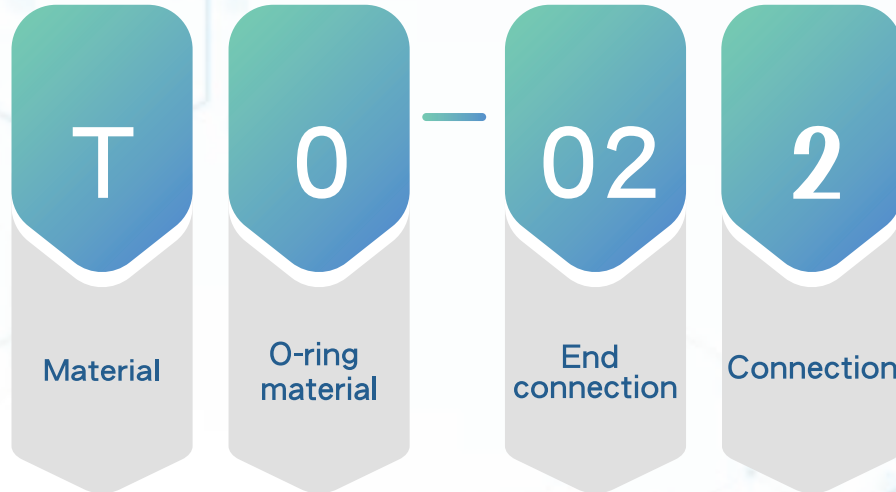
End connection	02:1/4" 03:3/8" 04:1/2" 06:3/4" 08:1"
Working liquid	Pure water or chemical liquids
Fluid temperature	5~60°C
Cracking pressure	A→B 0.002~0.005 MPa
Valve seat leakage	0 (Under water pressure)
Ambient temperature	0~60°C
Cv value	0.22 1.04 2.06 7.35 10.54
Mounting orientation	Any
Back check sealing pressure	0.035MPa
Pressure range	0.1~0.5 MPa

Internal structure and parts lists



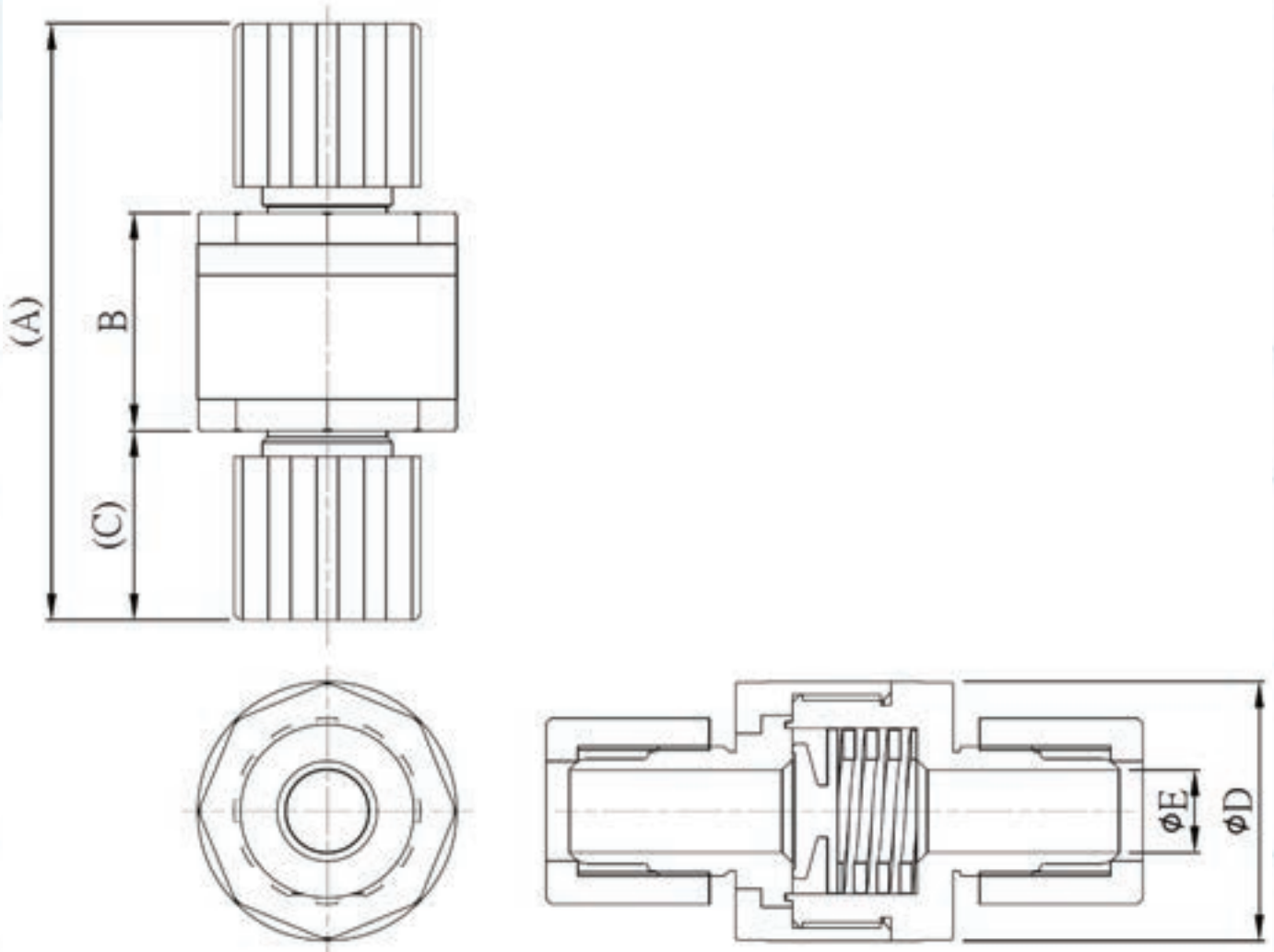
Part	Material
① Outlet port body	PTFE
② Spring	PTFE
③ Sealing cap	PTFE
④ Casing	PVDF
⑤ Inlet port body	PTFE
⑥ Nut	PFA

Valve for pure water & chemical liquids

WLCV-

WL	Type	Material	O-ring material	End connection	Connection
	CV:Check	T : PTFE	0:None	02 : 1/4" (Ø6.35xØ3.95) 03 : 3/8" (Ø9.53xØ6.35) 04 : 1/2" (Ø12.7xØ9.53) 06 : 3/4" (Ø19.05xØ15.8) 08 : 1" (Ø25.4xØ22.2)	2 : Parflare

Exterior Structure



Model		A	B	C	D	E
WLCV-T0-022	1/4"	94.6	36	29.3	38	3.18
WLCV-T0-032	3/8"	96.2	36	30.1	38	6.35
WLCV-T0-042	1/2"	99.8	36	31.9	38	9.65
WLCV-T0-062	3/4"	115.1	42	36.6	50	15.88
WLCV-T0-082	1"	138.3	50	44.2	70	22.2

unit:mm